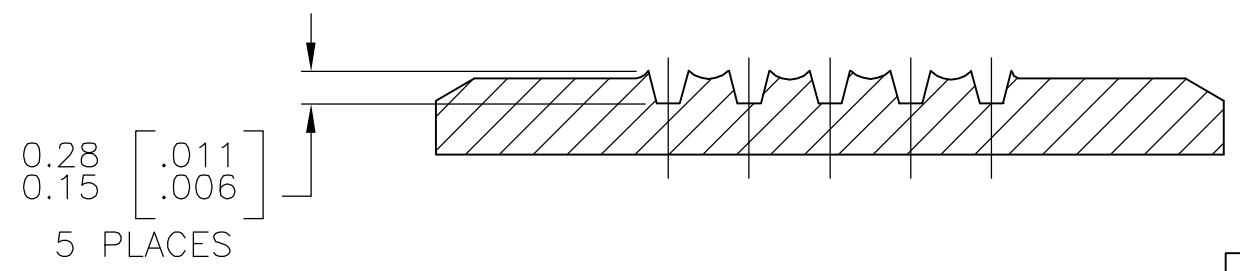
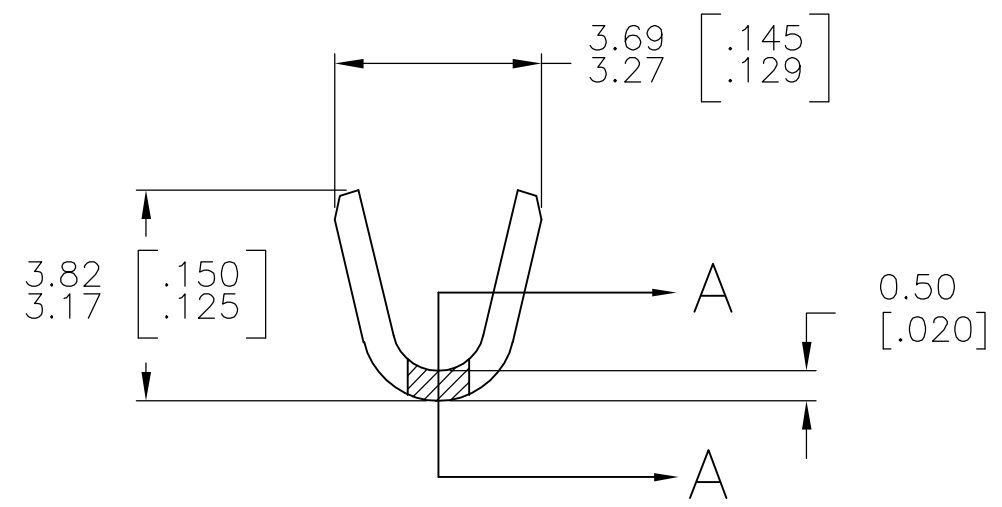
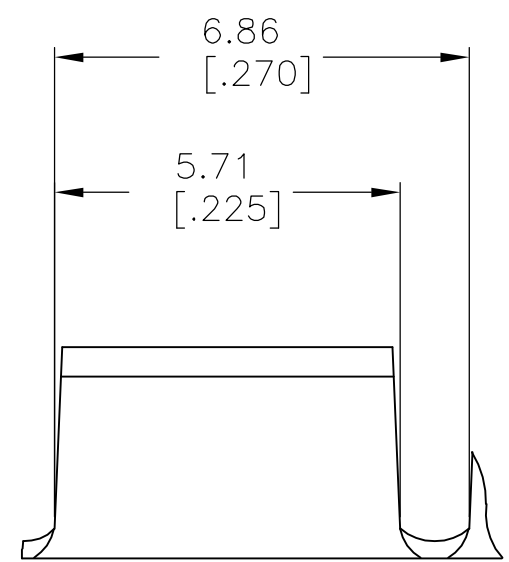
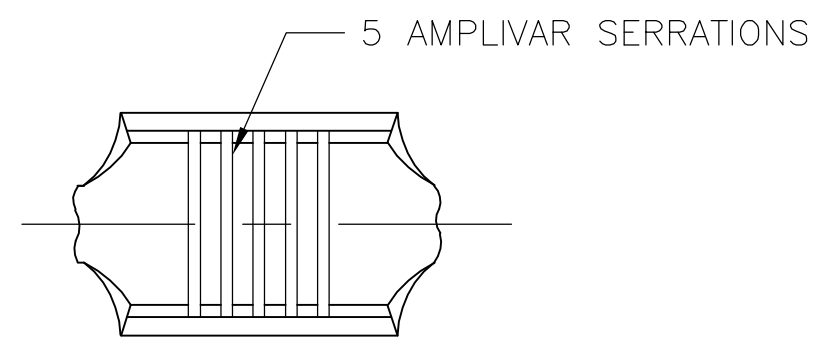


THIS DRAWING IS UNPUBLISHED. RELEASED FOR PUBLICATION  
 © COPYRIGHT BY TYCO ELECTRONICS CORPORATION. ALL RIGHTS RESERVED.

LOC	DIST	REVISIONS			
P	LTR	DESCRIPTION	DATE	DWN	APVD
AF	50	D1	ECR-06-023927(REDRAWN IN AUTOCAD)	07JUL06	HMR GP



SECTION A-A  
SCALE 20:1

- CONTINUOUS STRIP ON REELS.
- DIMENSIONS IN BRACKETS ARE IN INCHES.
- FOR ADDITIONAL INFORMATION, SEE APPLICATION SPEC. 114-2009.
- WIRE RANGE: 600-3000 CMA.
- CRIMP WIDTH: .110 F TYPE (AMPLIVAR THRU)  
 CRIMP HEIGHT (±.002)=(TOTAL CMA+9,400)/190,500  
 GENERAL APPLICATION GUIDELINES MUST BE FOLLOWED AS SPECIFIED IN CATALOG #82221  
 FOR APPLICATOR INFORMATION CALL:1-800-722-1111  
 FOR PRODUCT INFORMATION CALL:1-800-522-6752

OBSOLETE	TIN PLATE	0.51 [.020] PH BRZ	42076-3
OBSOLETE	-	0.51 [.020] PH BRZ	42076-2
OBSOLETE	TIN PLATE	0.51 [.020] BRASS	42076-1
	-	0.51 [.020] BRASS	42076-0
	FINISH	MATERIAL	PART NO

THIS DRAWING IS A CONTROLLED DOCUMENT.		DWN RAGHAVENDRA 07JUL06	Tyco Electronics Corporation Harrisburg, PA 17105-3608	
DIMENSIONS: mm [INCHES]	TOLERANCES UNLESS OTHERWISE SPECIFIED:	CHK G.D.PORTA	APVD G.D.PORTA	
	0 PLC ± -	PRODUCT SPEC	NAME	
	1 PLC ± -	APPLICATION SPEC	SPLICE, AMPLIVAR	
	2 PLC ± -		SIZE	CAGE CODE
	3 PLC ± 0.38 [.015]	WEIGHT -	A3	00779
	4 PLC ± -		DRAWING NO	C-42076
	ANGLES ± 1' 0"		RESTRICTED TO	-
MATERIAL SEE TABLE	FINISH SEE TABLE	CUSTOMER DRAWING		SCALE 8:1
				SHEET 1 OF 1
				REV D1